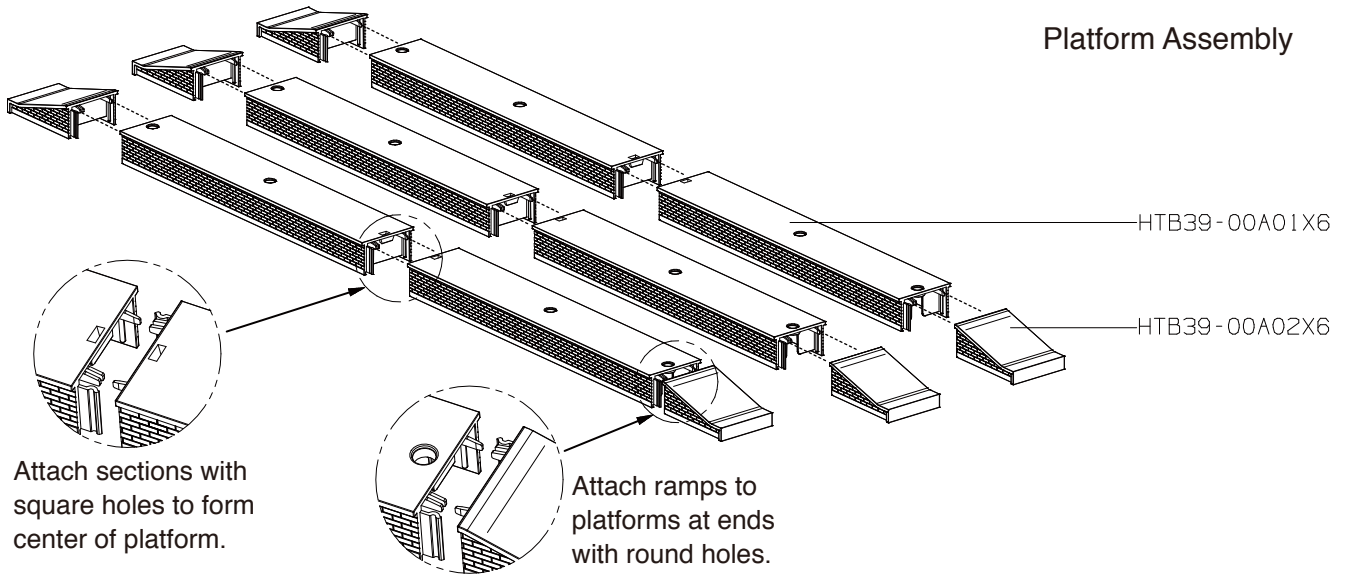


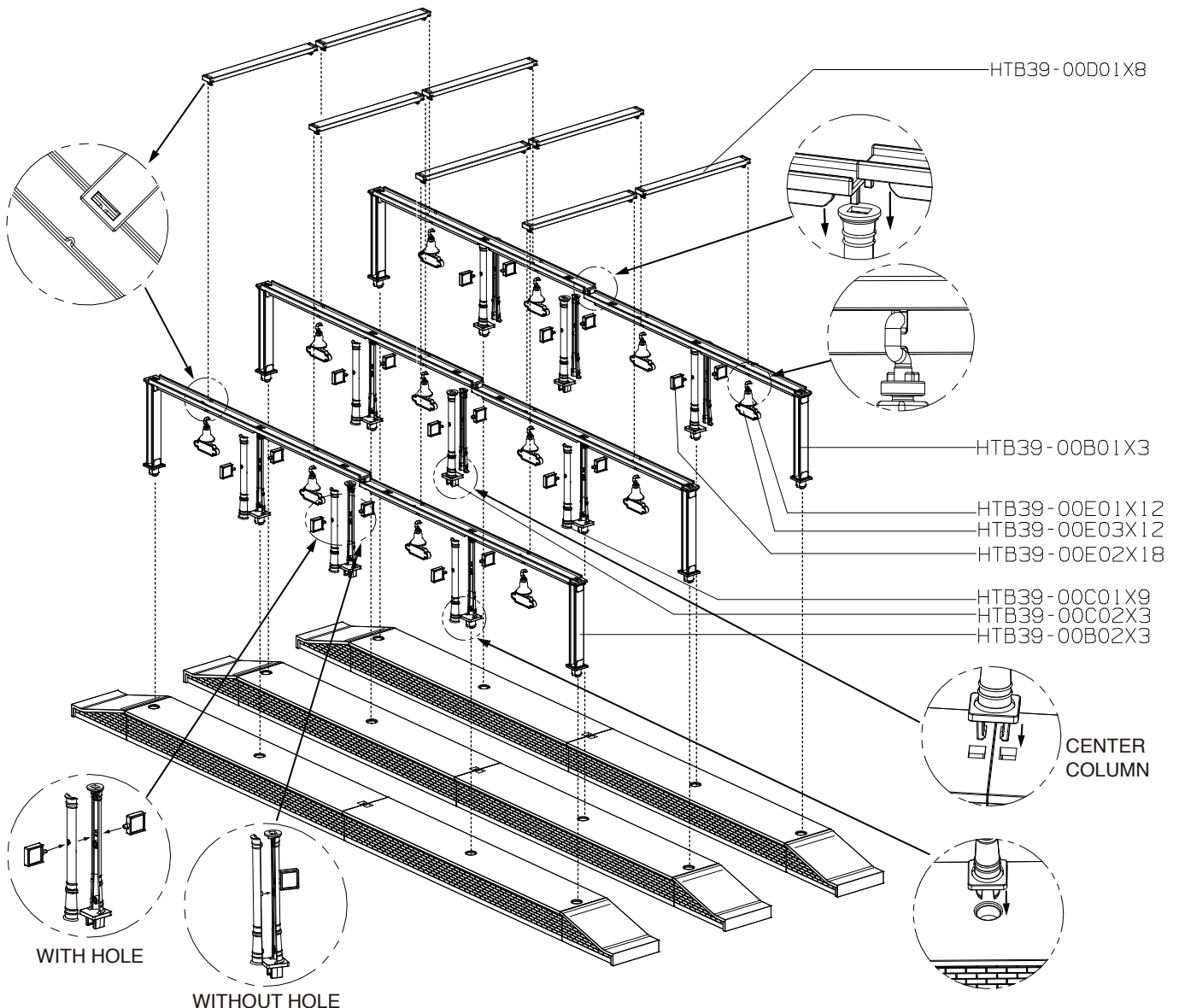
BACHMANN®

45239 KNAPFORD STATION

Platform Assembly



Column Assembly



Make sure open sides (without added column halves) of external support columns face out from platforms before attaching column structure to platform. Complete using column halves with or without track sign holes as desired (for outside track number signage, attach halves with hole facing outward; for no outside track signage, attach halves without hole facing outward.)